

安装尺寸 Dimensions

标准规范 Standard specification

设计标准 Design: API 608

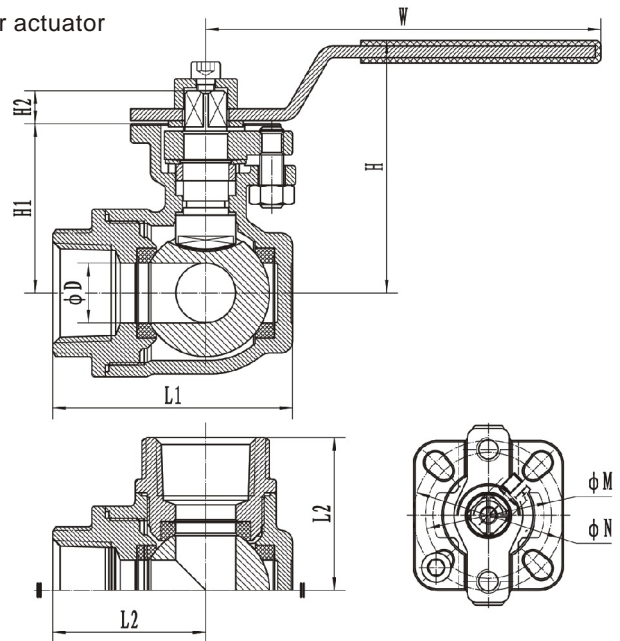
公称压力 Rating: 1000PSI

螺纹标准 Thread: ASME B 1.20.1, BS21, DIN2999/259,
ISO228-1, JIS B 0203, ISO7-1

试验标准 Inspection: API 598, EN12266

设计特点 Design features

- 1、缩径设计 Reduced bore
- 2、阀杆防暴出设计 Blow-out proof stem
- 3、ISO 5211标准执行器安装平台设计
ISO 5211 standard actuator mounting pad
- 4、符合API608要求不拆除手柄或执行机构就可以调整填料密封
Adjustable stem packing without discharging handle or actuator
- 5、阀杆部位垫片+O型圈+填料多重密封
Stem packing with O-ring and multiple seal
- 6、L型&T型 可选 L type & T type (option)
- 7、可配置防静电结构设计
Anti-static structure (option)



SIZE	D	L1	L2	W	H	H1	H2	F	M	N	ISO5211
1/4"	9	60.5	40	112	66.5	41.5	8.5	9	36	42	F03/F04
3/8"	11	60.5	40	112	66.5	41.5	8.5	9	36	42	F03/F04
1/2"	12.7	60.5	40	112	66.5	41.5	8.5	9	36	42	F03/F04
3/4"	16	66	41.5	112	68.5	45	9	9	36	42	F03/F04
1"	20	80	51	132	84.5	56	11	11	42	50	F04/F05
1-1/4"	25	90	55.5	132	90.5	62.5	11	11	42	50	F04/F05
1-1/2"	32	103	63	172	111	76	14.5	14	50	70	F05/F07
2"	38	122.5	73.5	172	120	85	14.5	14	50	70	F05/F07