

3PC高平台球阀-QC18(7)

3PC Ball Valve With Mounting Pad

安装尺寸 Dimensions

标准规范 Standard specification

设计标准 Design: API 608

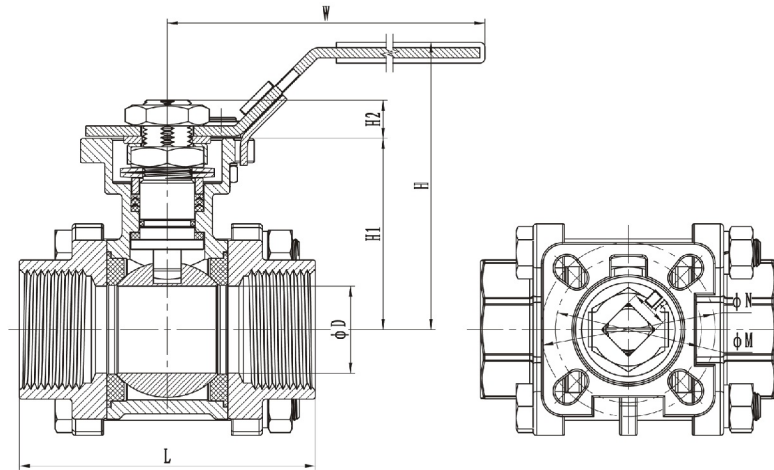
公称压力 Rating: 1000PSI (1/4"~2") 800PSI (2 1/2"~4")

螺纹标准 Thread: ASME B 1.20.1, BS21, DIN2999/259,
ISO228-1, JIS B 0203, ISO7-1

试验标准 Inspection: API 598, EN12266

设计特点 Design features

- 1、全通径设计 Full bore
- 2、阀杆防暴出设计 Blow-out proof stem
- 3、ISO 5211标准执行器安装平台设计
ISO 5211 standard actuator mounting pad
- 4、阀杆部位垫片+O型圈+填料多重密封
Stem packing with O-ring and multiple seal
- 5、可配置对焊和插焊连接, 参数详见Q3B8(7)、Q3S8(7)
Butt weld and socket weld connections can be configured.
See Q3B8(7)、Q3S8(7) for details



SIZE	D	L	W	H	H1	H2	F	M	N	ISO5211
1/4"	9.7	64	141	72	38.5	9	9	36	42	F03/F04
3/8"	12.5	64	141	72	38.5	9	9	36	42	F03/F04
1/2"	15	72	141	75	42	9	9	36	42	F03/F04
3/4"	20	80	141	81	48	9	9	36	42	F03/F04
1"	25	85	162	93	55	11	11	42	50	F04/F05
1-1/4"	32	105	162	98	60	11	11	42	50	F04/F05
1-1/2"	38	113	188	109	70	14	14	50	70	F05/F07
2"	50	132	188	124	85	14	14	50	70	F05/F07
2 1/2"	65	170	233	156	109	19	17	70	102	F07/F10
3"	76	186.5	233	165	118	19	17	70	102	F07/F10
4"	94	226.5	323	186	133	22	22	70	102	F07/F10