

2PC轻型螺纹球阀-Q218Q

2PC Threaded Ball Valve Light Type

安装尺寸 Dimensions

标准规范 Standard specification

设计标准 Design: API 608

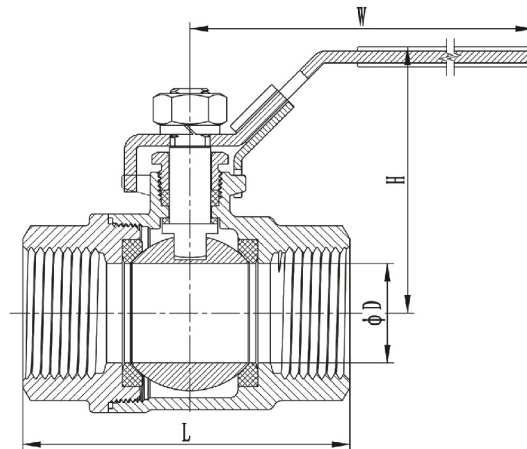
公称压力 Rating: 1000PSI

螺纹标准 Thread: ASME B 1.20.1, BS21, DIN2999/259,
ISO228-1, JIS B 0203, ISO7-1

试验标准 Inspection: API 598, EN12266

设计特点 Design features

- 1、全通径设计
Full bore
- 2、阀杆防暴出设计
Blow-out proof stem



SIZE	D	L	W	H
1/4"	11	51.5	104	51
3/8"	12.5	51.5	104	51
1/2"	15	58	105	52
3/4"	20	65	133	63
1"	25	77	133	65
1-1/4"	32	90	154	80
1-1/2"	38	98.5	154	83.5
2"	50	122.5	188	97
2 1/2"	65	159	223	119
3"	76	182	223	129
4"	94	224	298	169