

2PC内外牙球阀-Q238

2PC Threaded Ball Valve M/F

安装尺寸 Dimensions

标准规范 Standard specification

设计标准 Design: API 608

公称压力 Rating: 1000PSI

螺纹标准 Thread: ASME B 1.20.1, BS21, DIN2999/259,
ISO228-1, JIS B 0203, ISO7-1

试验标准 Inspection: API 598, EN12266

设计特点 Design features

1、全通径设计

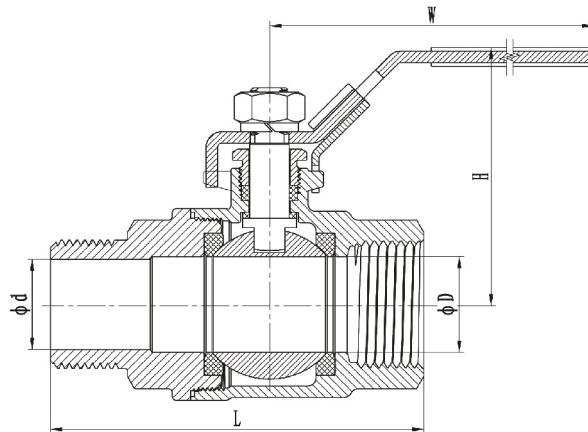
Full bore

2、阀杆防暴出设计

Blow-out proof stem

3、内外牙连接

Male & Female thread



SIZE	d	D	L	W	H
1/4"	7	11	60.5	104	51
3/8"	10.5	12.5	60.5	104	51
1/2"	13.5	15	78.5	104	53
3/4"	18.5	20	88.5	126	65
1"	23	25	100	144	77
1-1/4"	31	32	110.5	144	81.5
1-1/2"	36	38	121	189	94.5
2"	48	50	141.5	189	102