

# 2PC螺纹球阀-Q218

## 2PC Threaded Ball Valve

### 安装尺寸 Dimensions

标准规范 Standard specification

设计标准 Design: API 608

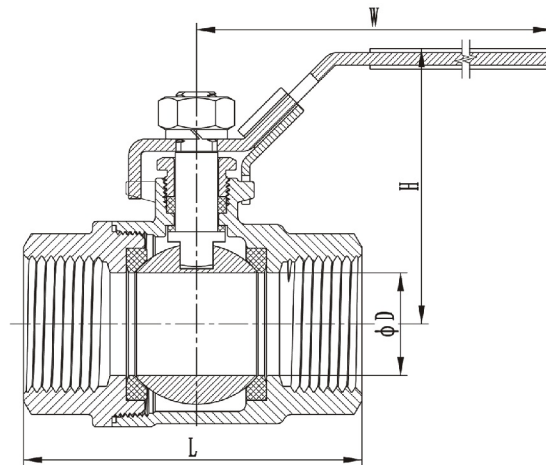
公称压力 Rating: 1000PSI

螺纹标准 Thread: ASME B 1.20.1, BS21, DIN2999/259,  
ISO228-1, JIS B 0203, ISO7-1

试验标准 Inspection: API 598, EN12266

### 设计特点 Design features

- 1、全通径设计  
Full bore
- 2、阀杆防暴出设计  
Blow-out proof stem



SIZE	D	L	W	H
1/4"	11	51.5	104	51
3/8"	12.5	51.5	104	51
1/2"	15	63.5	104	53
3/4"	20	74	126	65
1"	25	86	144	77
1-1/4"	32	98	144	81.5
1-1/2"	38	106	189	94.5
2"	50	122	189	102
2 1/2"	65	159	223	119
3"	76	182	223	129
4"	94	224	298	169