

1PC螺纹球阀-Q118

1PC Threaded Ball Valve

安装尺寸 Dimensions

标准规范 Standard specification

设计标准 Design: API 608

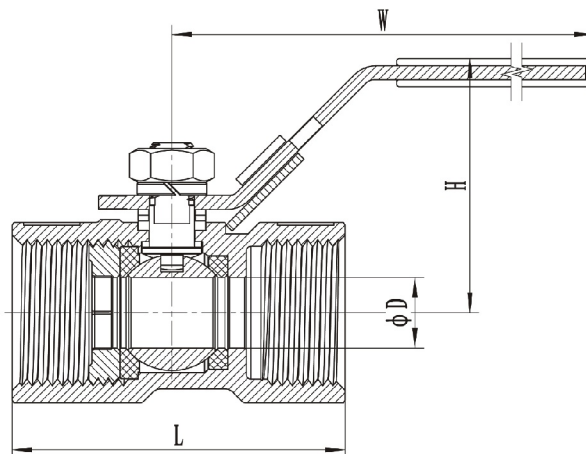
公称压力 Rating: 1000PSI

螺纹标准 Thread: ASME B 1.20.1, BS21, DIN2999/259,
ISO228-1, JIS B 0203, ISO7-1

试验标准 Inspection: API 598, EN12266

设计特点 Design features

- 1、缩径设计
Reduced bore
- 2、阀杆防暴出设计
Blow-out proof stem
- 3、加锁手柄或蝶形手柄 (可选)
Lockable handle or butterfly handle (option)



SIZE	D	H	W	L
1/4"	5	33	71	39
3/8"	7	35	93	44
1/2"	9.2	40	95	55
3/4"	12.5	44	95	59
1"	15	50	113	69
1-1/4"	20	57	113	77
1-1/2"	25	64	141	81
2"	32	68	141	97
2 1/2"	38	85	189	127
3"	50	90	189	153